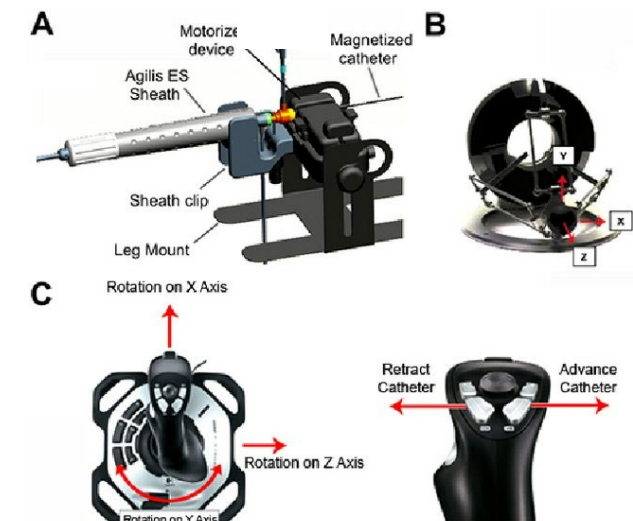
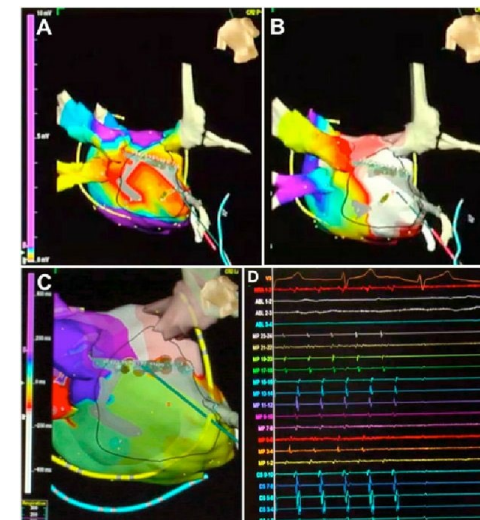
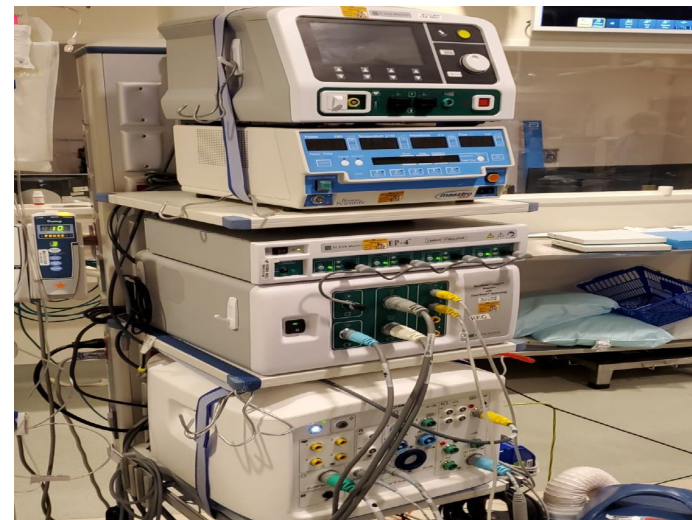


**NEURO-KINESIS CORP.**  
**HUYGENS-PROTEUS**  
**DEVELOPMENT REPORT**  
22.09.15



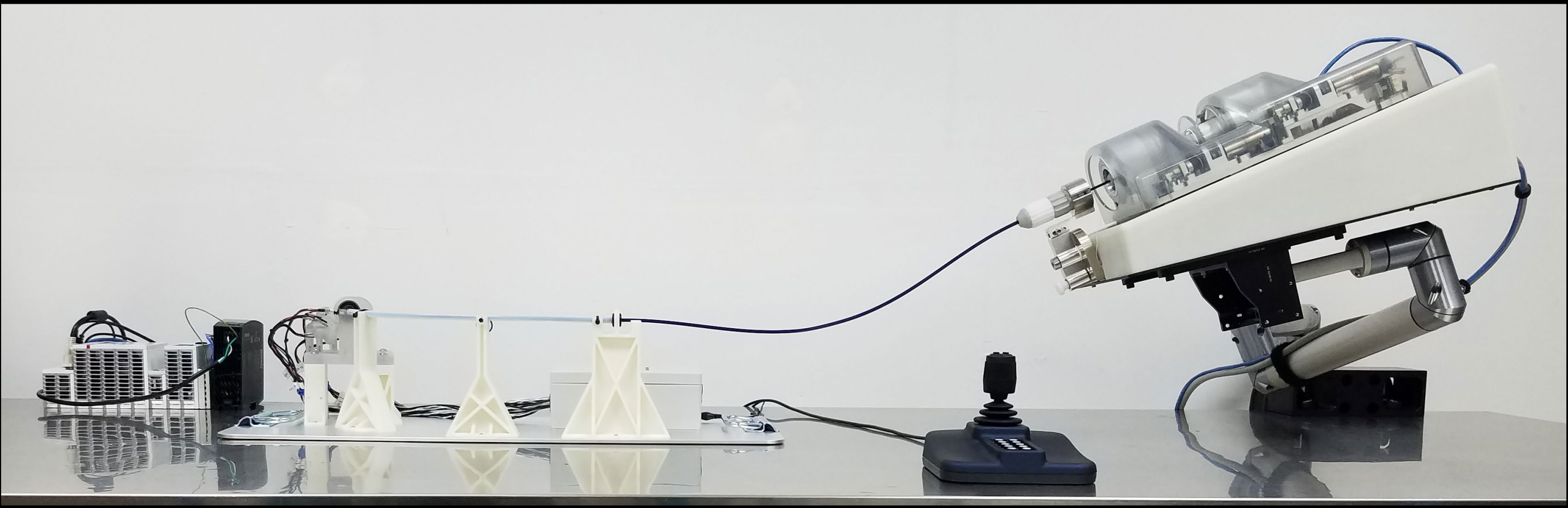
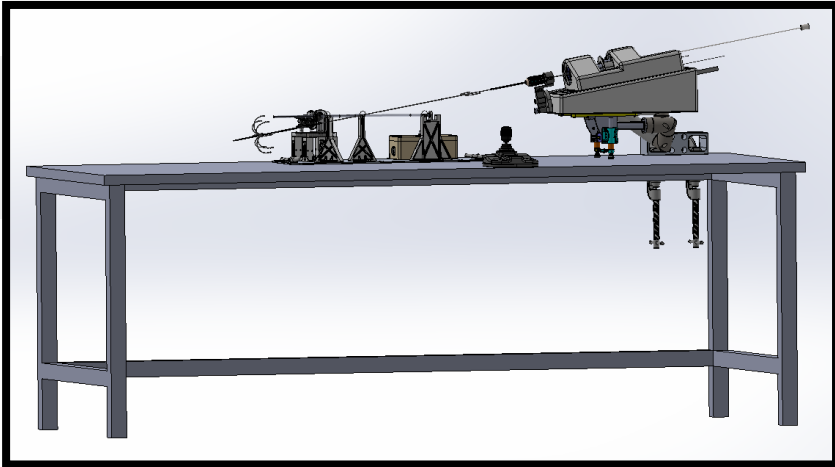
# NKC MILESTONES

- **Proteus Testing**
  - Testing starting **9/16/22**
  - Testing and reports expected to be completed by **9/30/22**
- **Huygens Testing**
  - Testing how well the catheter moves within the Proteus started **9/14/22**
  - Testing tweaks to catheter shaft fabrication to reduce friction and increase responsiveness. Starting **9/16/22**
- **NKC anticipates that by the end of September, its Proteus System will be installed at our laboratory in Los Angeles.**
- **St.Jude/Abbott will install the EnSite X system and integration with Proteus-Huygens systems at NKC facilities in September.**
- **The white paper “Remote Magnetic Navigation for Accurate, Real-time Catheter Positioning and Ablation in Cardiac Electrophysiology Procedures” by Dr. Jose Merino, Josh Shachar, et al has reached 800 reads and 43 citations.**



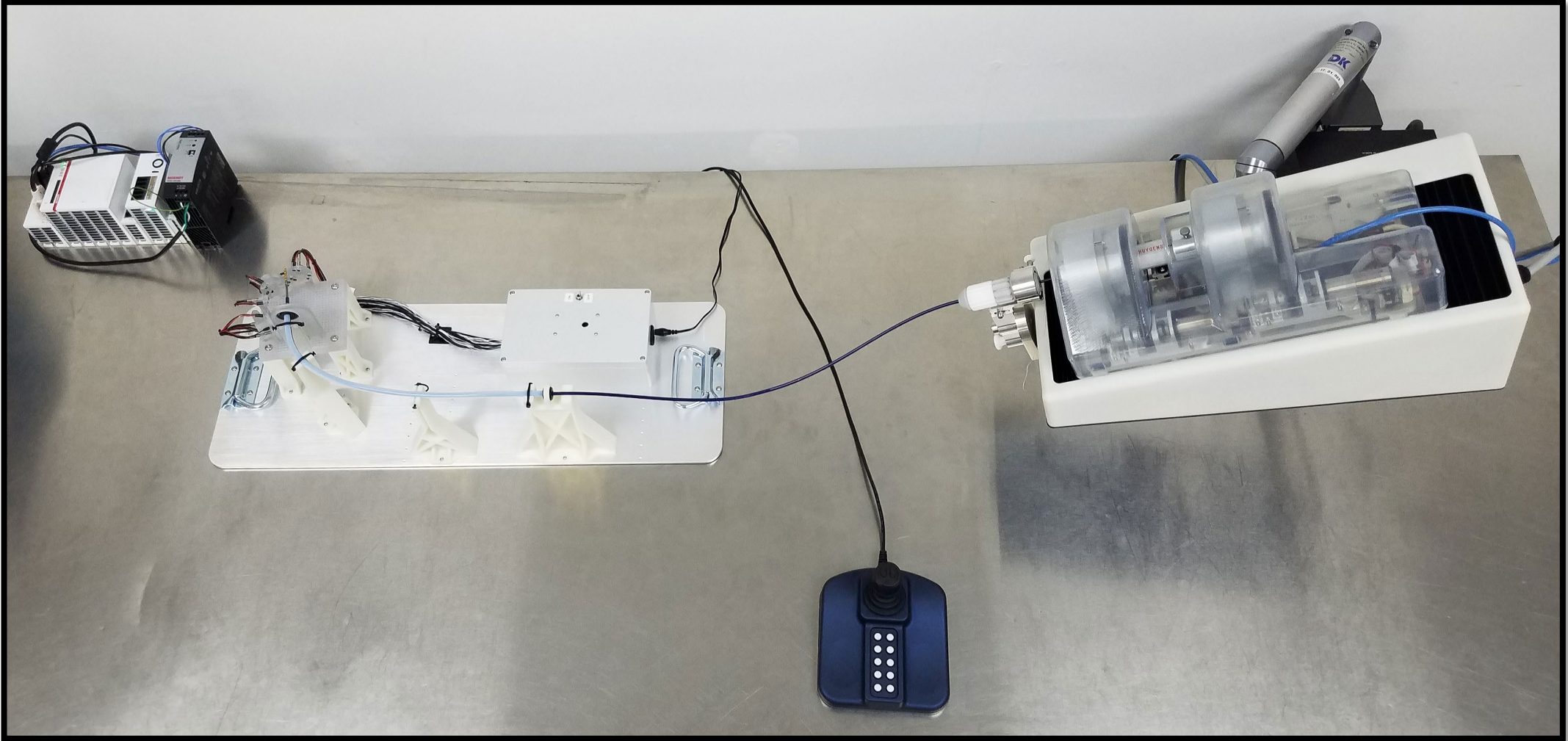
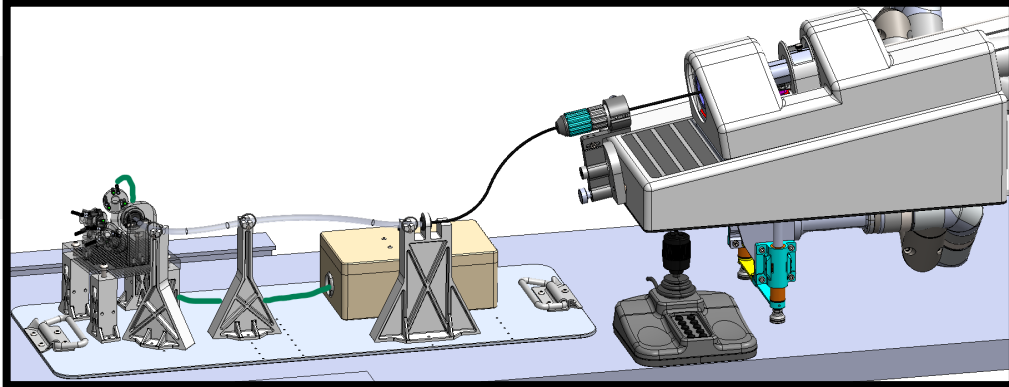
# DEMO UNIT BUILD & TEST UPDATE

From Cad to Build

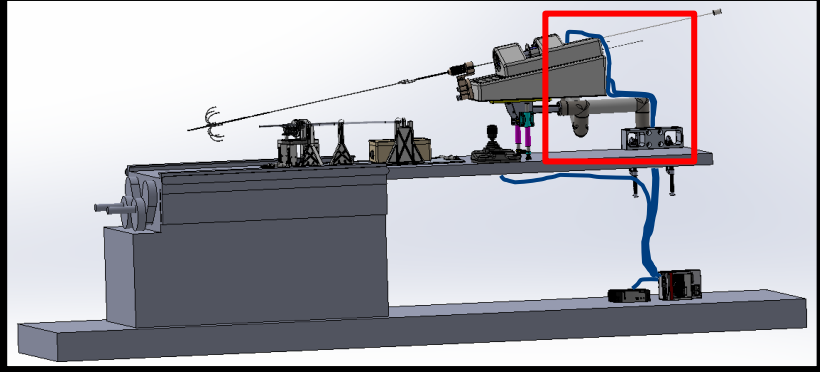


# DEMO UNIT BUILD & TEST UPDATE

From Cad to Build



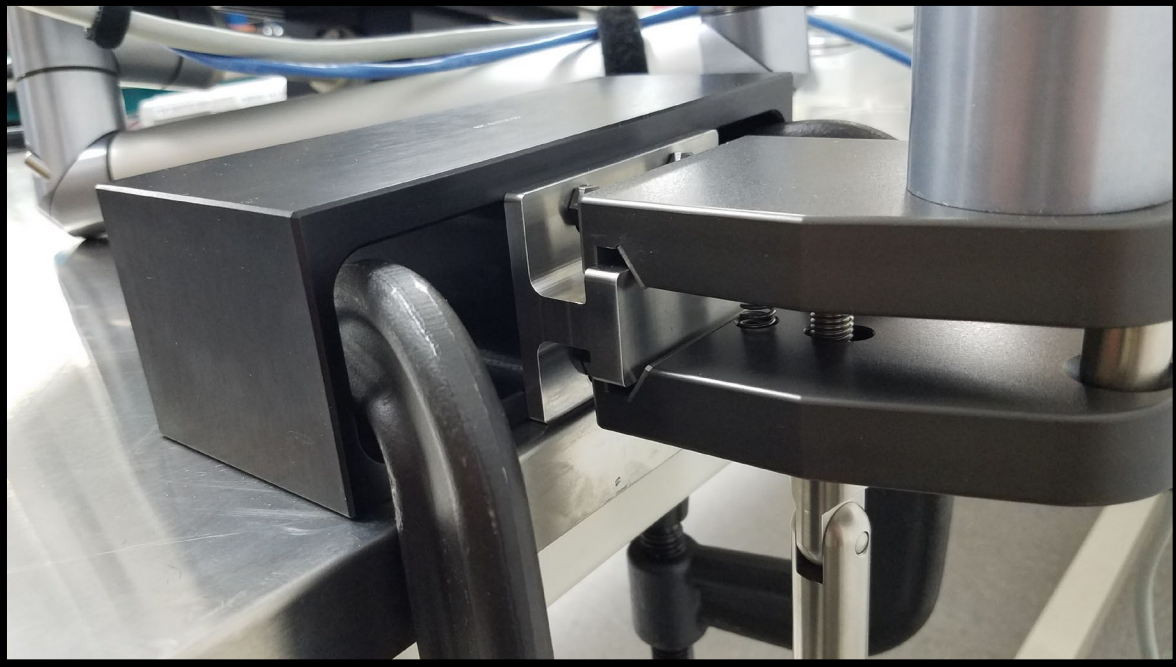
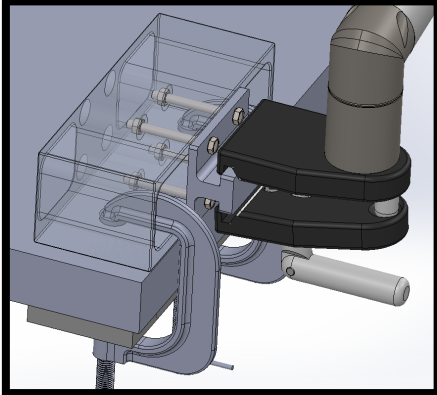
# DEMO UNIT BUILD & TEST UPDATE



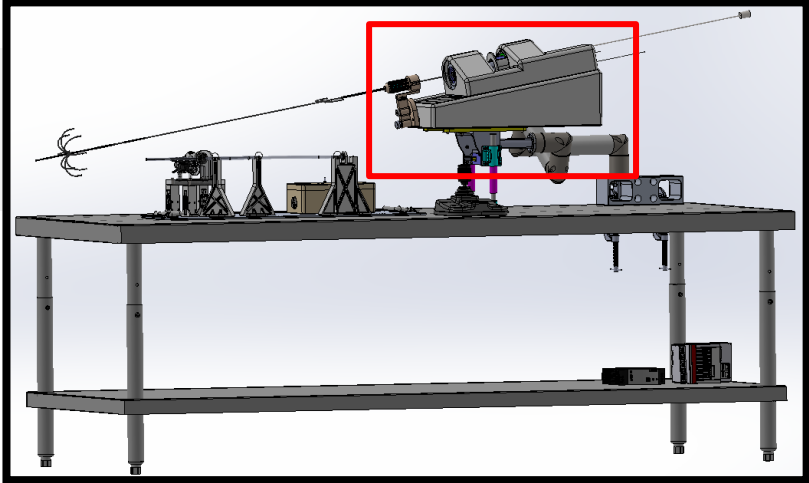
From Cad to Build

Adequate stiffness of joints observed during build

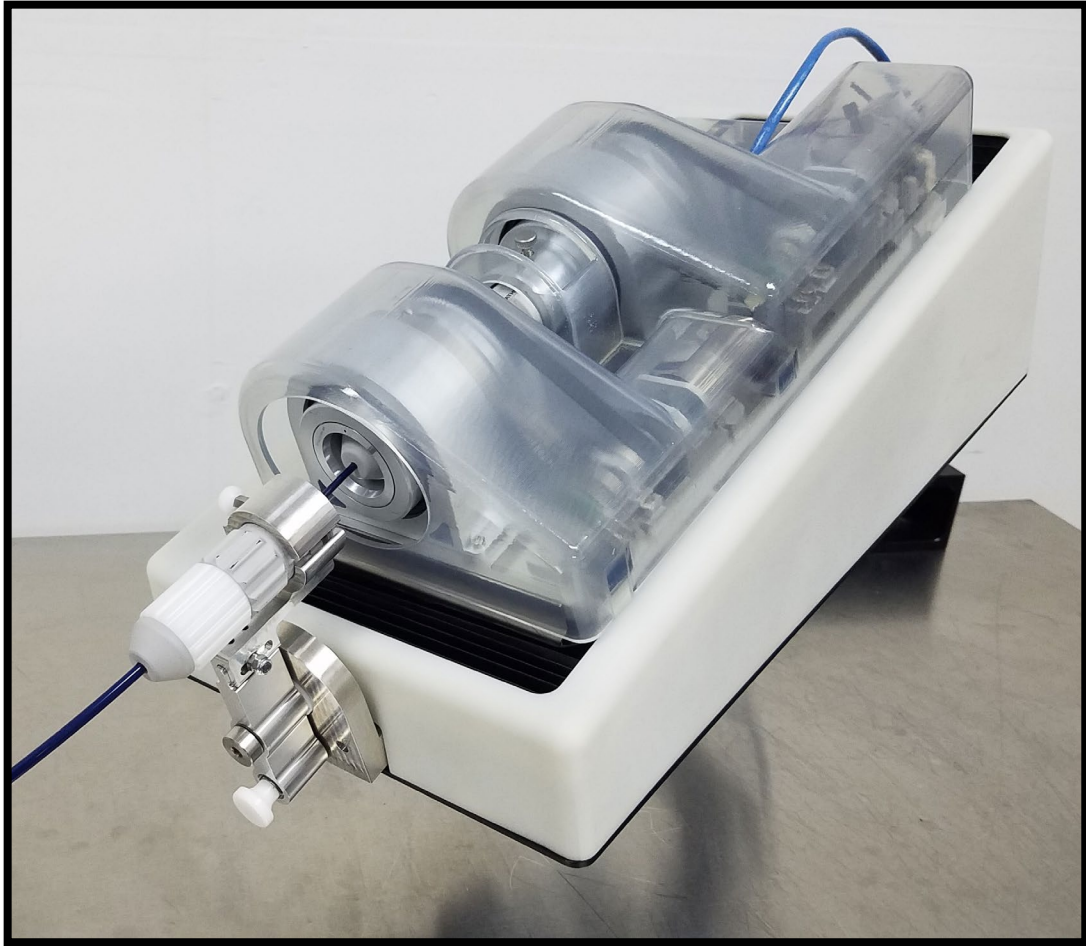
From Cad to Build



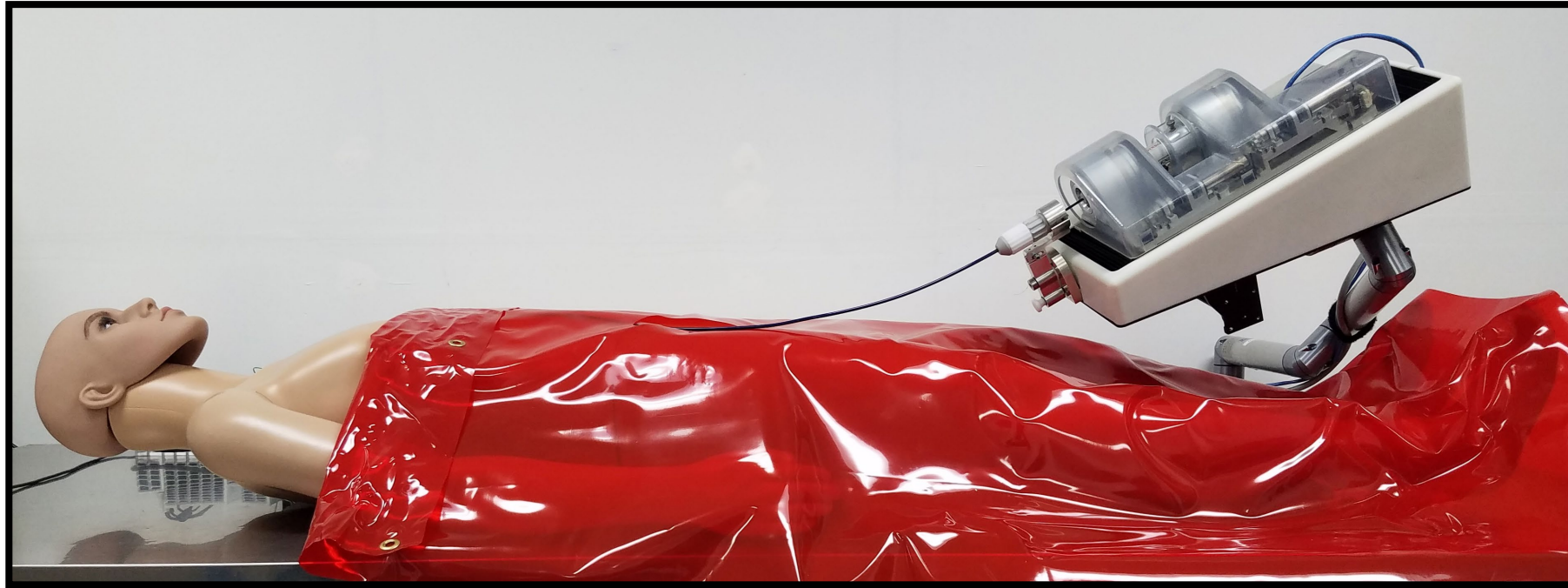
# DEMO UNIT BUILD & TEST UPDATE



From Cad to Build



# DEMO UNIT BUILD & TEST UPDATE



The Demo Unit can achieve an anatomically-approximate layout. NKC is contemplating installation of the demo unit at our laboratory to enable the engineers and clinical staff headed by Dr. Gang to commence the initial validation process of the system prior to the Animal Study scheduled for Q1 2023 at the Technion in Israel.

